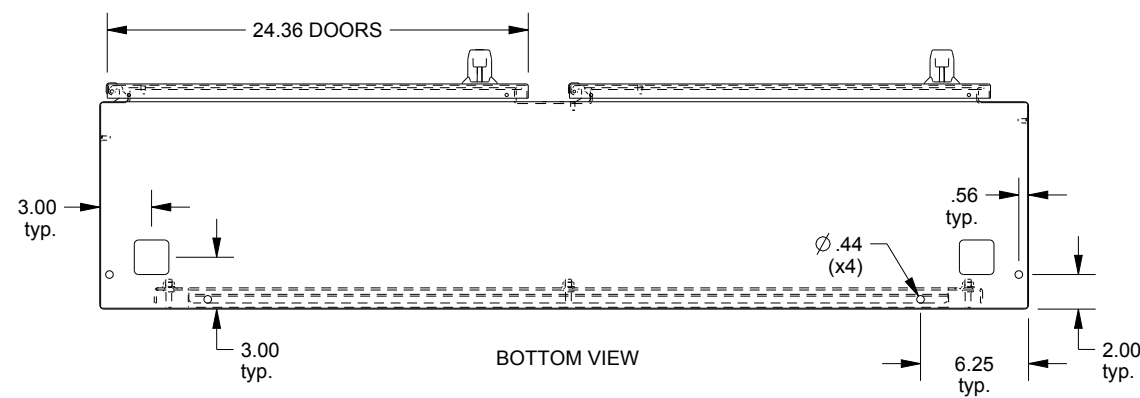
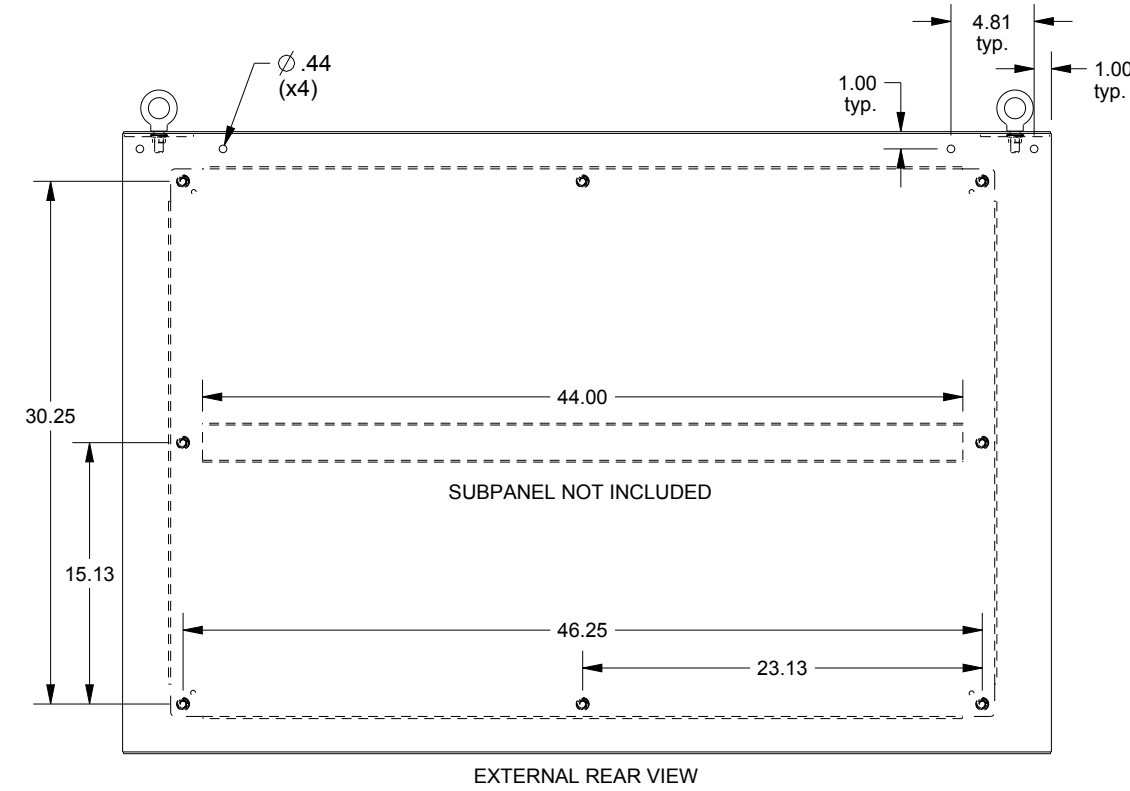
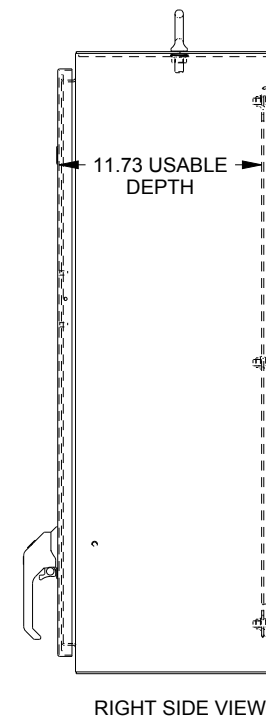
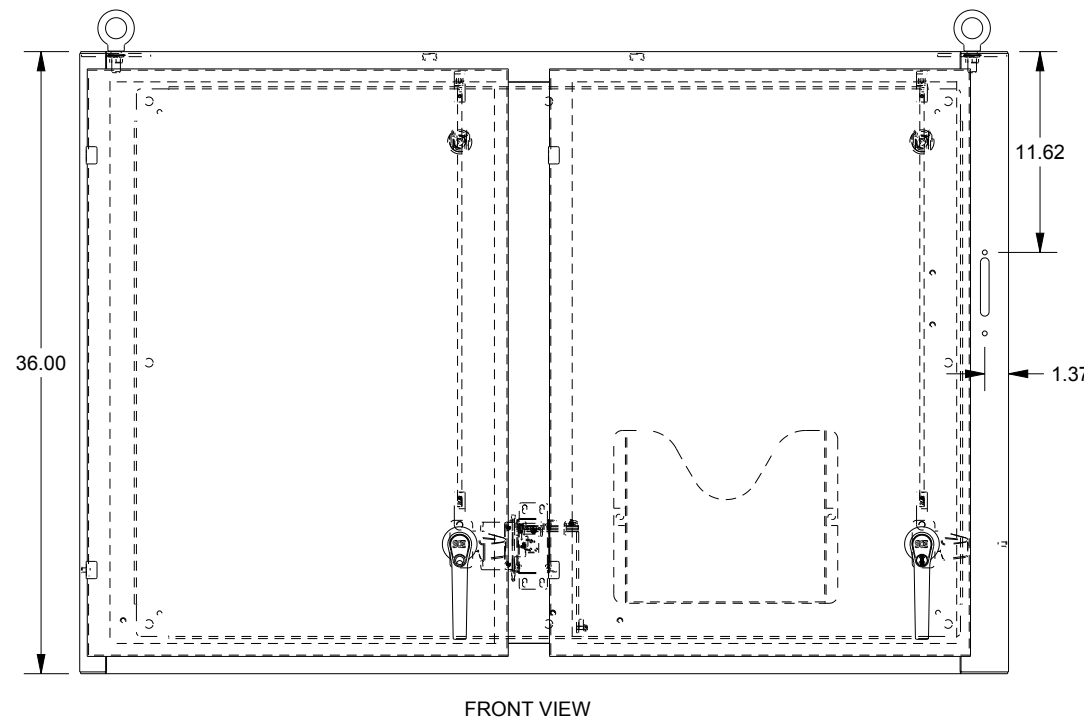
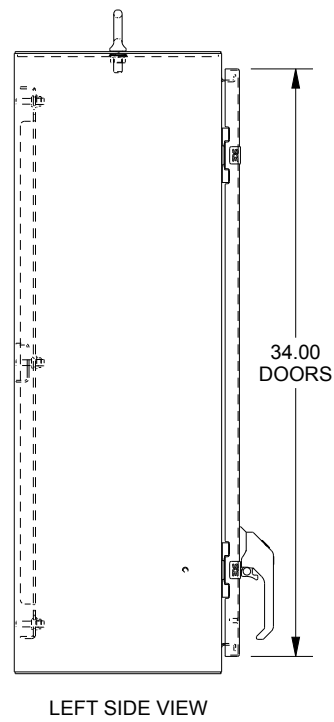
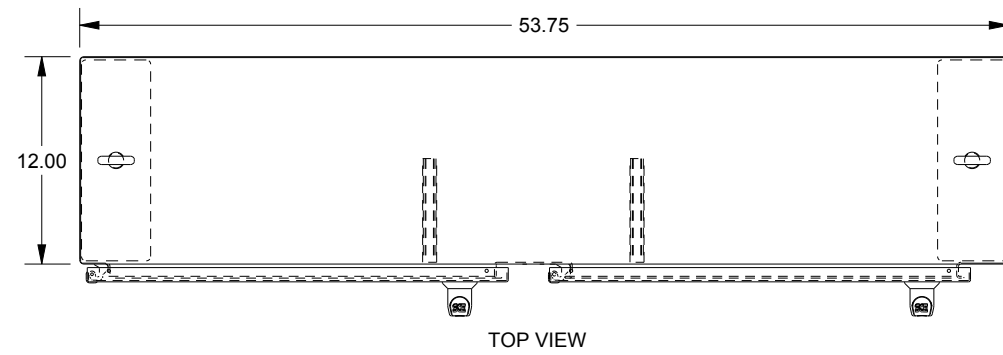


# SAGINAW CONTROL & ENGINEERING

## SCE-36X2D5412



CUTOUT PROVISIONS IN THE BOTTOM AND IN THE REAR WALL FOR SECURING OPTIONAL HEAVY DUTY WALL MOUNTING BRACKET KIT SCE-HDWMK

WASH SYSTEM 2" SQUARE DRAIN HOLES IN THE BOTTOM WITH UL APPROVED HOLE SEALS PROVIDED